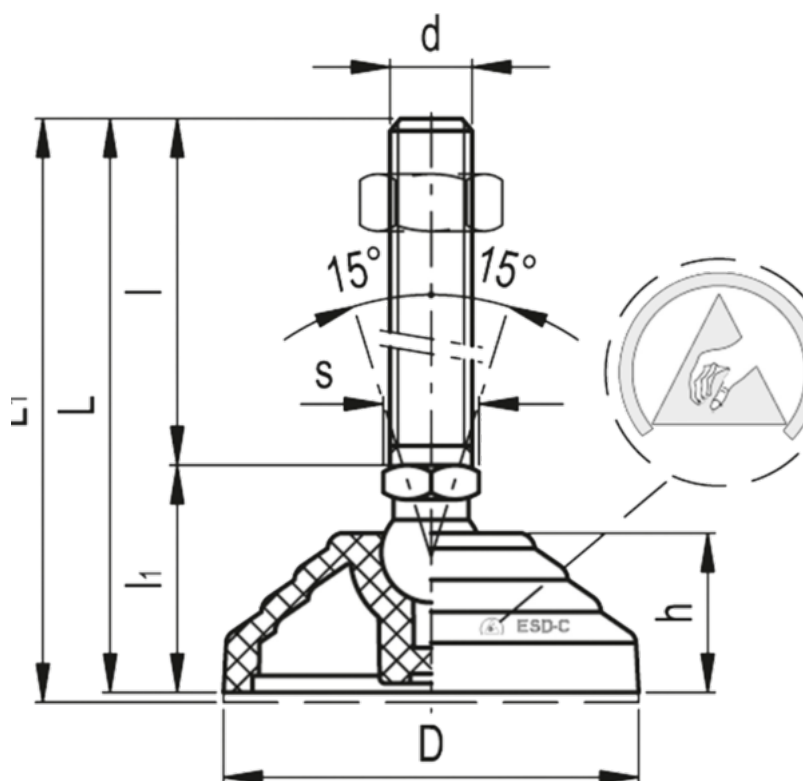


Article number: 2310307641ESD

Description: E+G Antistatic base for levelling elements
LV.A-60-24-AS-M16x138-ESD-C

Measures



| | | | |
|--------------|-------|---------------|---------|
| Articulation | = 24 | Max load | = 18000 |
| D | = 60 | s | = 24 |
| d | = M16 | Weight in (g) | = 325 |
| h | = 24 | | |
| l | = 138 | | |
| l1 | = 43 | | |
| L | = 181 | | |
| L1 | = 184 | | |